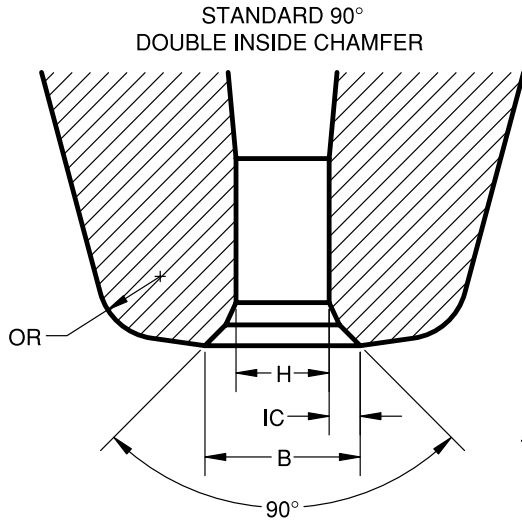
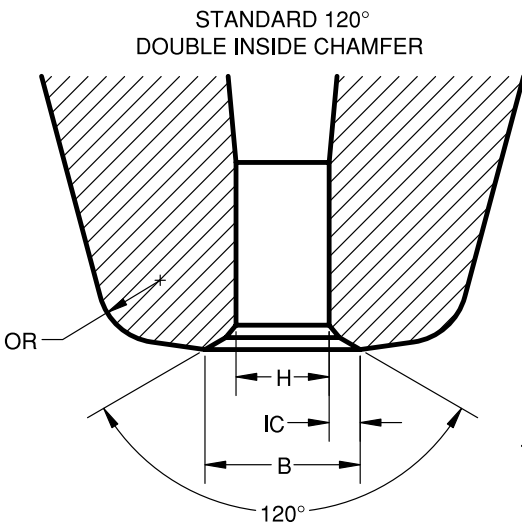
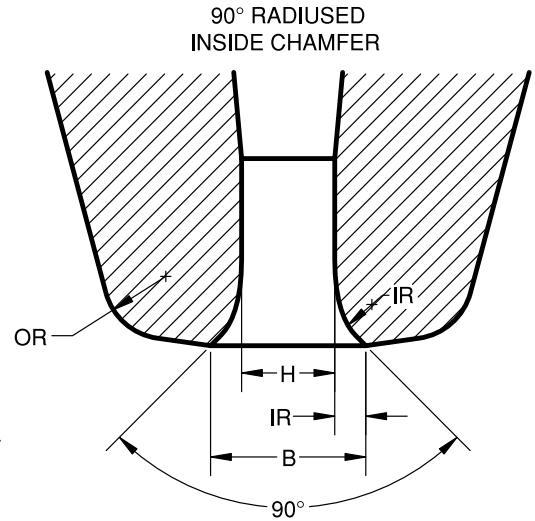


The standard 90° and 120° double inside chamfer capillaries are also available with an optional radiused inside chamfer at a moderate additional cost. The inside radius enhances wire control and looping characteristics. It also helps to alleviate

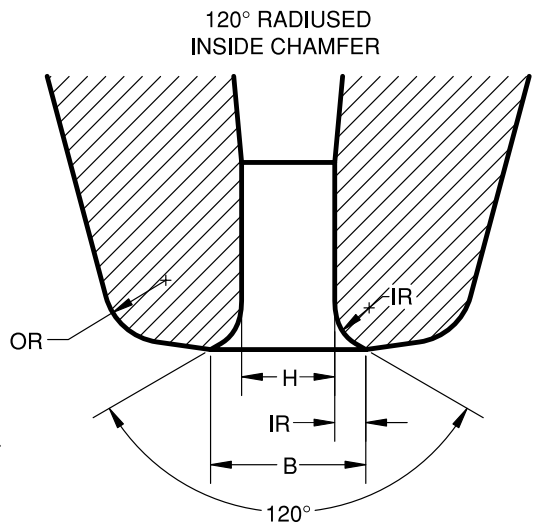
sagging and wavy wires in long loop, low loop, high speed automated, and fine pitch bonding applications. This is the same radiused inside chamfer design featured in the 1520 and 1590 fine pitch series.



STANDARD SERIES	INSIDE RADIUS (IR) EQUIVALENTS
1513N	1523N
1572N	1522N
1574	1524
1570	1521



STANDARD SERIES	INSIDE RADIUS (IR) EQUIVALENTS
1513	1523
1572	1522
1574N	1524N
1570N	1521N



Note: If a radiused equivalent is not specified above for the desired series, specify “-BLIC” in the part number.