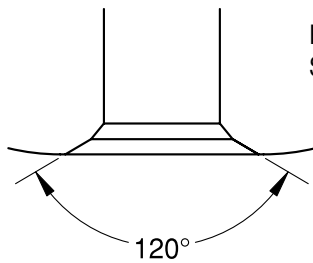
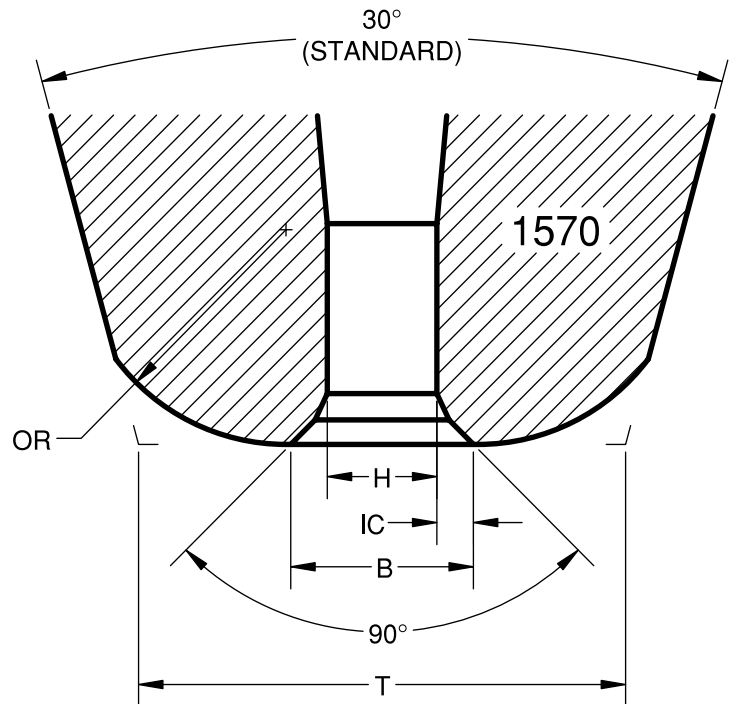


The 1570 series features a large outside radius design for good bondability on a variety of surfaces. The 90° double inside chamfer forms a compact ball bond and enhances 2nd bond tailing. The large outside radius design performs well even on surfaces with poor planarity. Selected 1570 style tools are regular stock items based on demand.

The 1570N may be specified for a 120° inside chamfer for applications with poor 1st bond bondability



For 120° IC Angle,  
 Specify 1570N Series

**Specify:** Series - Dash Number - Length+Finish - Options  
**Example:** 1570-18-437GM-20D

Note: For Tungsten Carbide material, specify 1170 & 1170N series (1/16 in. diameter only).  
 For 1/8 in. diameter ceramic, specify 1270 & 1270N series.

SERIES & DASH NO.	H* in./μm ±.0001/2.5	IC in./μm (ref)	B** in./μm ±.0002/5	OR*** in./μm ±.0003/8	T (30° CONE) in./μm ±.0003/8	T (20° CONE) in./μm ±.0003/8	SUGGESTED WIRE DIAMETER in./μm
1570-10	.0010/25	.0003/8	.0016/41	.0020/51	.0050/127	.0051/130	.0005/13 to .0008/20
1570-12	.0012/30	.0003/8	.0018/46	.0020/51	.0050/127	.0051/130	.0007/18 to .0009/23
1570-13	.0013/33	.0004/10	.0021/53	.0025/64	.0060/152	.0062/157	.0008/20 to .0010/25
1570-15	.0015/38	.0005/13	.0025/64	.0030/76	.0070/178	.0072/183	.0009/23 to .0011/28
1570-17	.0017/43	.0006/15	.0029/74	.0035/89	.0080/203	.0083/211	.0010/25 to .0013/33
1570-18	.0018/46	.0006/15	.0030/76	.0035/89	.0080/203	.0083/211	
1570-20	.0020/51	.0007/18	.0034/86	.0040/102	.0090/229	.0093/236	.0013/33 to .0015/38
1570-22	.0022/56	.0007/18	.0036/91	.0040/102	.0090/229	.0093/236	
1570-25	.0025/64	.0008/20	.0041/104	.0050/127	.0115/292	.0119/302	.0015/38 to .0020/51
1570-30	.0030/76	.0009/23	.0048/122	.0060/152	.0140/356	.0144/366	.0020/51
1570-35	.0035/89	.0011/28	.0057/145	.0070/178	.0165/419	.0170/432	
1570-40	.0040/102	.0013/33	.0066/168	.0080/203	.0190/483	.0196/498	.0030/76
1570-45	.0045/114	.0014/36	.0073/185	.0090/229	.0211/536	.0218/554	
1570-50	.0050/127	.0015/38	.0080/203	.0100/254	.0240/610	.0247/627	.0040/102
1570-60	.0060/152	.0018/46	.0096/244	.0120/305	.0290/737	.0299/759	.0050/127
1570-70	.0070/178	.0021/53	.0112/284	.0140/356	.0350/889	.0360/914	

\* For hole sizes less than 0.0011 and hole sizes 0.0025 through 0.0049, the tolerance is +.0002/-.0001. For hole sizes greater than 0.0049, the tolerance is +.0003/-.0002.

\*\* For B dimensions greater than 0.0040, the tolerance is +.0003/-.0002.

\*\*\*OR tolerance ±.0003 for OR less than or equal to .0030; for OR greater than .0030, tolerance is ±10%.

Tighter tolerance available at additional charges. *Dimensions in inches unless otherwise specified*