

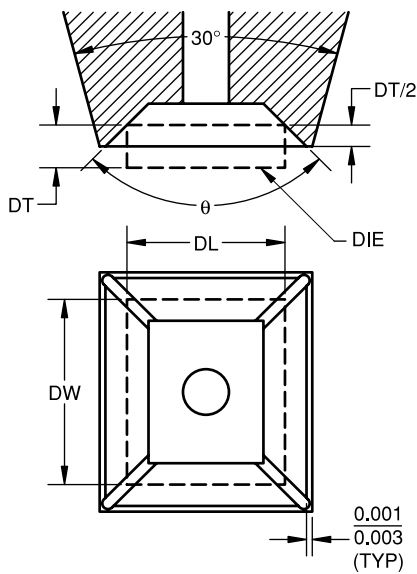
Eutectic die collets are used to attach the die to a substrate. Die collets are designed to pick up the die by the edges, not the face. The inside of the collets have slanted sides, usually 90° but can be user specified as needed. Four-sided collets are referred to as “inverted pyramid” style and two-sided collets are known as “channel” design.

The four-sided collet has the advantage of absolute control of positioning of the die because it is contained on all four sides.

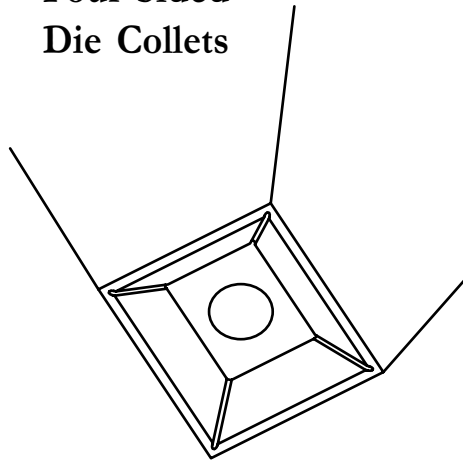
The two-sided channel design is advantageous because of the additional clearance on each end used to place the die adjacent to a wall or another device.

Both collets are manufactured so that 50% of the die thickness is engaged and 50% is exposed (of the die thickness specified in the part number). Under some conditions, either the eutectic or epoxy material may extrude up onto the collet face and contaminate it. To eliminate this problem, the collet should be ordered by calling out a thinner die size than is actually being used. The collet will be made with smaller and allow for more of the die to be exposed away from the face.

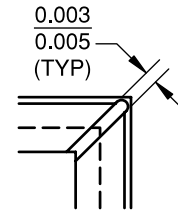
All die collets are available on shanks listed on the shank styles pages for die collets and vacuum pick-up tools. If a particular shank is not listed, Gaiser Tool Co. can manufacture it per customer specifications.



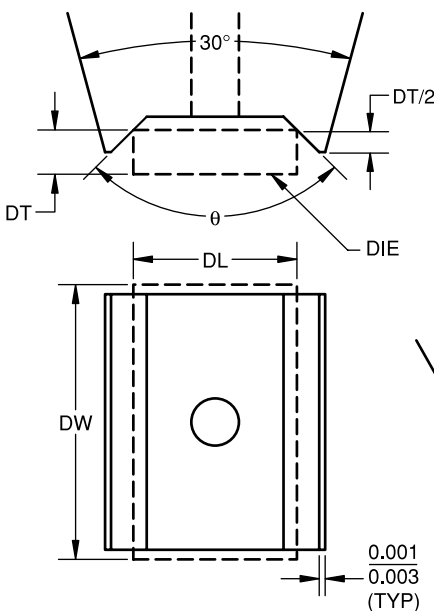
**3600 Series  
 Four-Sided  
 Die Collets**



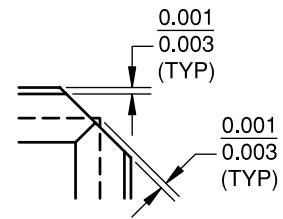
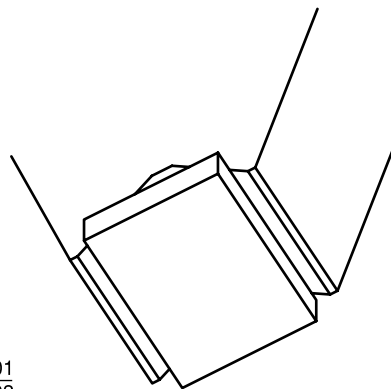
**Corner Reliefs**



Internal Corner Reliefs  
 Standard for Small Collets



**3700 Series  
 Two-Sided  
 Die Collets**



External Corner Reliefs  
 Standard for Large Collets  
 (0.060 x 0.060 or larger die size)

On the 3700 two-sided die collet, the DW is contacted (touched) by the collet. The DL is not contacted by the collet. The vacuum leaks at the DL side.

**Specify:** Series/Shank Style - Shank Length - Inside Wall Angle - Die Length - Die Width - Die Thickness - Options

**Example:**

3602-750-90-055-065-005

3702-500-90-055-095-010

*Dimensions in inches unless otherwise specified*